

# 23084EA.M

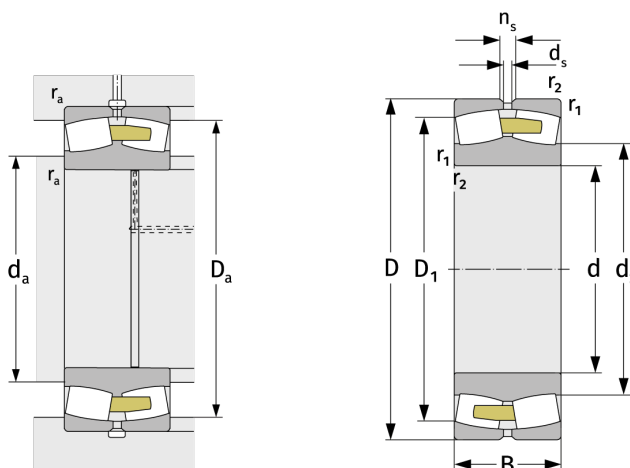
Spherical Roller Bearings (metric)



## Details:

### Main dimensions

d [mm]	420	$D_1$ [mm]	≈ 562.3
D [mm]	620	$d_s$ [mm]	12.5
B [mm]	150	$n_s$ [mm]	23.5
Weight [kg]	≈ 157	$r_{1,2}$ [mm]	5
$d_2$ [mm]	≈ 486.1		



### Mating dimensions

$d_{a, \min}$ [mm]	438
$D_{a, \max}$ [mm]	602
$r_{a, \max}$ [mm]	4

### Calculation data

C [kN]	3090
$C_0$ [kN]	6300
$C_u$ [kN]	427
$n_{th}$ [ $\text{min}^{-1}$ ]	653
$n_g$ [ $\text{min}^{-1}$ ]	1100
e	0,22
$Y_1$	3,07
$Y_2$	4,57
$Y_0$	3