

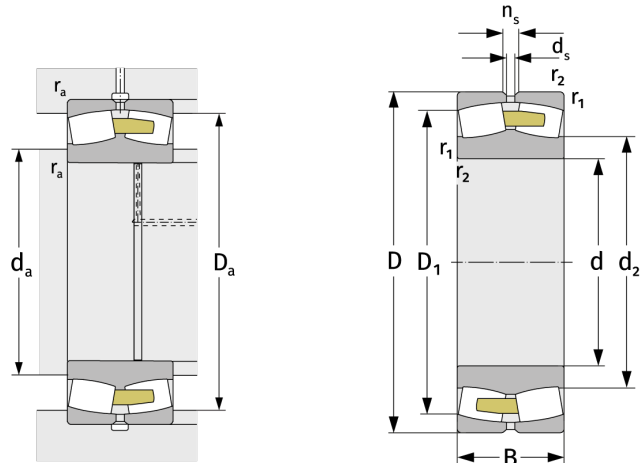
# 23884EA.M

Spherical Roller Bearings (metric)



## Details:

Main dimensions			
d [mm]	420	D <sub>1</sub> [mm]	≈ 491.3
D [mm]	520	d <sub>s</sub> [mm]	6.3
B [mm]	75	n <sub>s</sub> [mm]	12.2
Weight [kg]	≈ 35.9	r <sub>1,2</sub> [mm]	2.1
d <sub>2</sub> [mm]	≈ 455.6		



Mating dimensions		Calculation data	
d <sub>a,min</sub> [mm]	430	C [kN]	1100
D <sub>a,max</sub> [mm]	509.8	C <sub>0</sub> [kN]	2890
r <sub>a,max</sub> [mm]	2.1	C <sub>u</sub> [kN]	201
		n <sub>th</sub> [min <sup>-1</sup> ]	528
		n <sub>g</sub> [min <sup>-1</sup> ]	1300
		e	0,12
		Y <sub>1</sub>	5,42
		Y <sub>2</sub>	8,06
		Y <sub>0</sub>	5,3