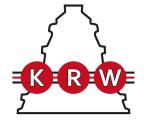


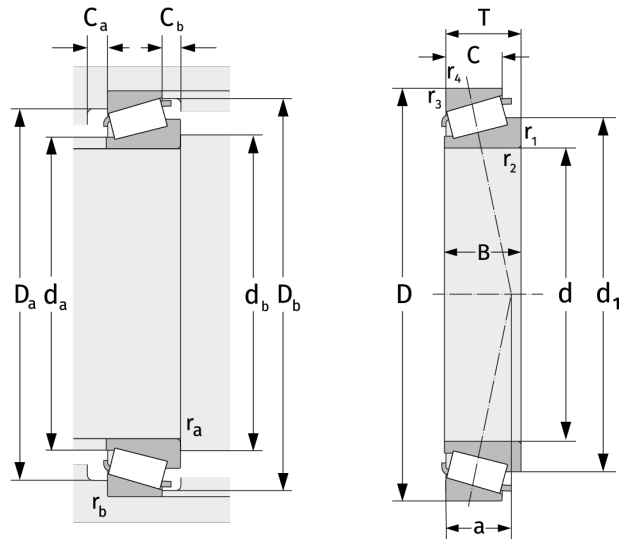
# 30244

Tapered Roller Bearings (single row, metric)



## Details:

Main dimensions			
d [mm]	220	B [mm]	65
D [mm]	400	d <sub>1</sub> [mm]	≈ 300.9
T [mm]	72	r <sub>1,2</sub> [mm]	5
Weight [kg]	≈ 34	r <sub>3,4</sub> [mm]	4
C [mm]	54	a [mm]	≈ 77.3



Mating dimensions		Calculation data	
$d_{a, \max}$ [mm]	255	C [kN]	985
$d_{b, \min}$ [mm]	237	$C_0$ [kN]	1420
$D_{a, \min}$ [mm]	348	$C_u$ [kN]	126
$D_{a, \max}$ [mm]	382	$n_{th}$ [min <sup>-1</sup> ]	1098
$D_{b, \min}$ [mm]	371	$n_g$ [min <sup>-1</sup> ]	1600
$C_{a, \min}$ [mm]	10	e	0,44
$C_{b, \min}$ [mm]	18	Y	1,38
$r_{a, \max}$ [mm]	5	$Y_0$	0,76
$r_{b, \max}$ [mm]	4		