

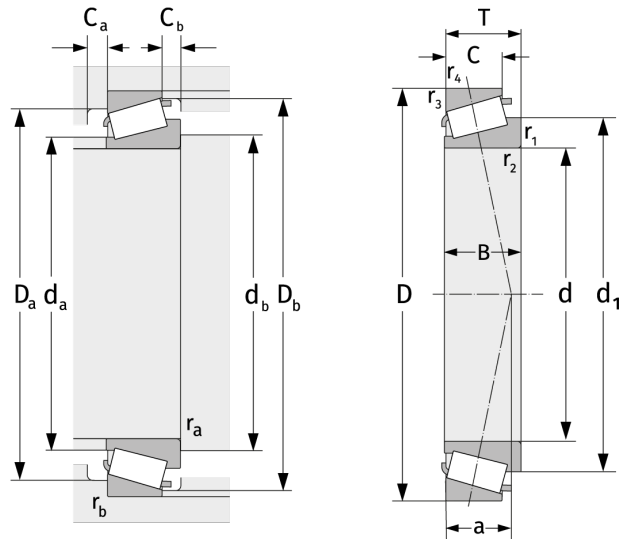
# 32052X

Tapered Roller Bearings (single row, metric)



## Details:

Main dimensions			
d [mm]	260	B [mm]	87
D [mm]	400	d <sub>1</sub> [mm]	≈ 329.3
T [mm]	87	r <sub>1,2</sub> [mm]	5
Weight [kg]	≈ 38.3	r <sub>3,4</sub> [mm]	4
C [mm]	65	a [mm]	≈ 85.6



Mating dimensions		Calculation data	
d <sub>a,max</sub> [mm]	287	C [kN]	1200
d <sub>b,min</sub> [mm]	278	C <sub>0</sub> [kN]	2250
D <sub>a,min</sub> [mm]	352	C <sub>u</sub> [kN]	197
D <sub>a,max</sub> [mm]	382	n <sub>th</sub> [min <sup>-1</sup> ]	889
D <sub>b,min</sub> [mm]	383	n <sub>g</sub> [min <sup>-1</sup> ]	1500
C <sub>a,min</sub> [mm]	14	e	0,43
C <sub>b,min</sub> [mm]	22	Y	1,38
r <sub>a,max</sub> [mm]	5	Y <sub>0</sub>	0,76
r <sub>b,max</sub> [mm]	4		