

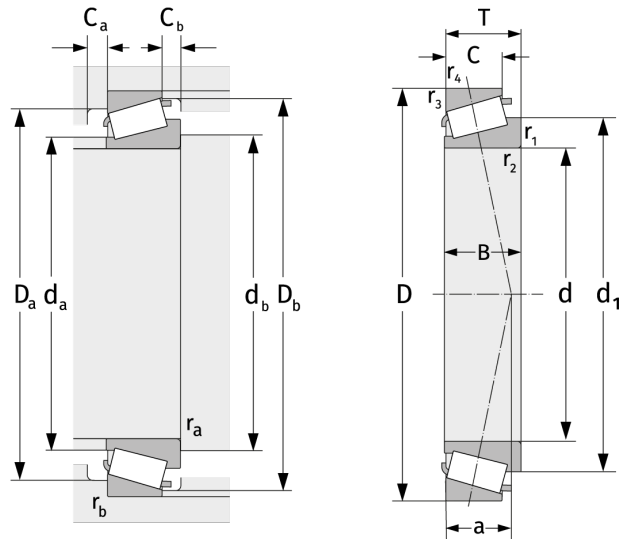
# 32336

Tapered Roller Bearings (single row, metric)



## Details:

Main dimensions			
d [mm]	180	B [mm]	126
D [mm]	380	d <sub>1</sub> [mm]	≈ 271.3
T [mm]	134	r <sub>1,2</sub> [mm]	5
Weight [kg]	≈ 69.1	r <sub>3,4</sub> [mm]	4
C [mm]	106	a [mm]	≈ 92.3



Mating dimensions		Calculation data	
d <sub>a,max</sub> [mm]	215	C [kN]	1740
d <sub>b,min</sub> [mm]	197	C <sub>0</sub> [kN]	2580
D <sub>a,min</sub> [mm]	310	C <sub>u</sub> [kN]	235
D <sub>a,max</sub> [mm]	361	n <sub>th</sub> [min <sup>-1</sup> ]	1071
D <sub>b,min</sub> [mm]	355	n <sub>g</sub> [min <sup>-1</sup> ]	1900
C <sub>a,min</sub> [mm]	14	e	0,35
C <sub>b,min</sub> [mm]	28	Y	1,74
r <sub>a,max</sub> [mm]	5	Y <sub>0</sub>	0,96
r <sub>b,max</sub> [mm]	4		