

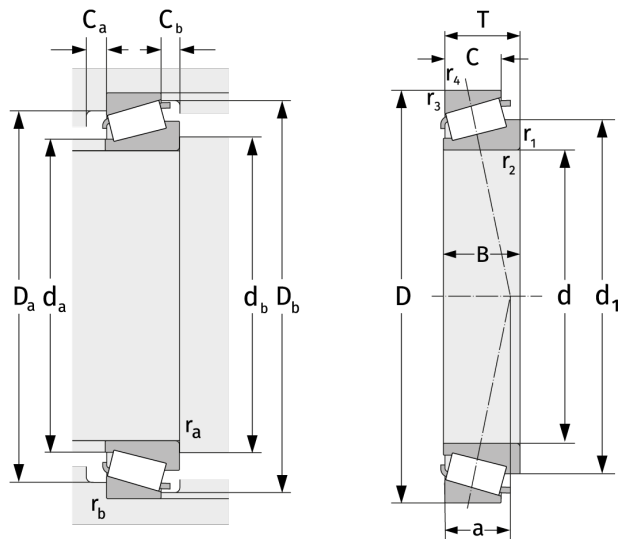
32344

Tapered Roller Bearings (single row, metric)



Details:

Main dimensions			
d [mm]	220	B [mm]	145
D [mm]	460	d ₁ [mm]	≈ 326.7
T [mm]	154	r _{1,2} [mm]	6
Weight [kg]	≈ 118	r _{3,4} [mm]	5
C [mm]	122	a [mm]	≈ 106



Mating dimensions		Calculation data	
d _{a,max} [mm]	260	C [kN]	2490
d _{b,min} [mm]	240	C ₀ [kN]	3820
D _{a,min} [mm]	380	C _u [kN]	333
D _{a,max} [mm]	437	n _{th} [min ⁻¹]	783
D _{b,min} [mm]	430	n _g [min ⁻¹]	1500
C _{a,min} [mm]	16	e	0,35
C _{b,min} [mm]	32	Y	1,74
r _{a,max} [mm]	6	Y ₀	0,96
r _{b,max} [mm]	5		