

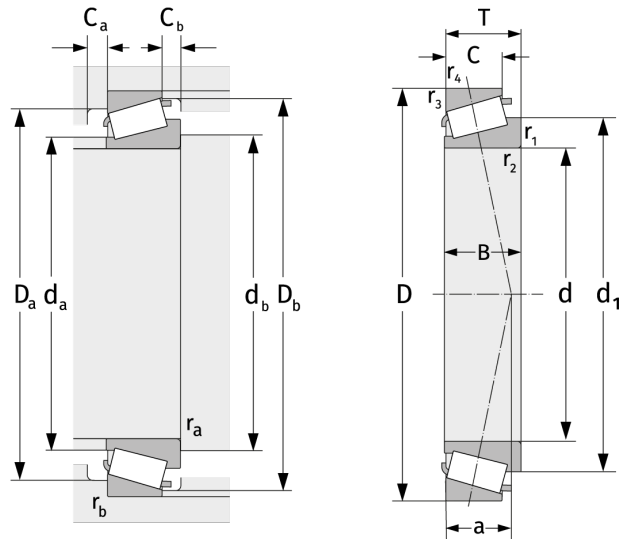
# 32348

Tapered Roller Bearings (single row, metric)



## Details:

Main dimensions			
d [mm]	240	B [mm]	155
D [mm]	500	d <sub>1</sub> [mm]	≈ 354.9
T [mm]	165	r <sub>1,2</sub> [mm]	6
Weight [kg]	≈ 147	r <sub>3,4</sub> [mm]	5
C [mm]	132	a [mm]	≈ 116



Mating dimensions		Calculation data	
d <sub>a,max</sub> [mm]	285	C [kN]	2810
d <sub>b,min</sub> [mm]	260	C <sub>0</sub> [kN]	4310
D <sub>a,min</sub> [mm]	411	C <sub>u</sub> [kN]	367
D <sub>a,max</sub> [mm]	476	n <sub>th</sub> [min <sup>-1</sup> ]	709
D <sub>b,min</sub> [mm]	465	n <sub>g</sub> [min <sup>-1</sup> ]	1400
C <sub>a,min</sub> [mm]	16	e	0,35
C <sub>b,min</sub> [mm]	32	Y	1,74
r <sub>a,max</sub> [mm]	6	Y <sub>0</sub>	0,96
r <sub>b,max</sub> [mm]	5		