

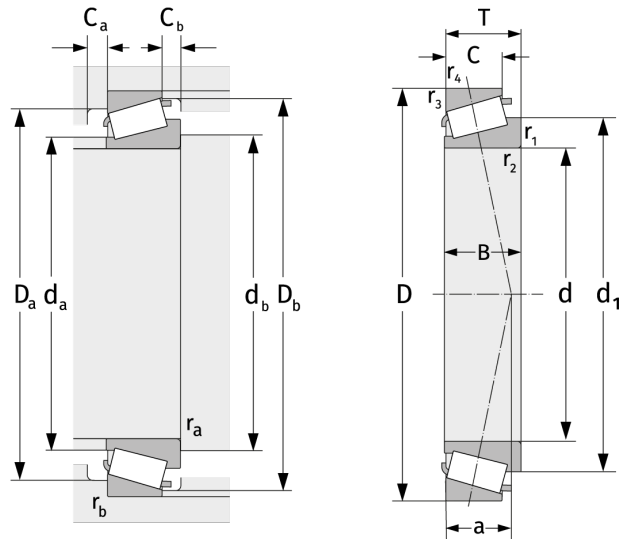
# 32940

Tapered Roller Bearings (single row, metric)



## Details:

Main dimensions			
d [mm]	200	B [mm]	51
D [mm]	280	d <sub>1</sub> [mm]	≈ 238.3
T [mm]	51	r <sub>1,2</sub> [mm]	3
Weight [kg]	≈ 9.28	r <sub>3,4</sub> [mm]	2.5
C [mm]	39	a [mm]	≈ 53.9



Mating dimensions		Calculation data	
d <sub>a,max</sub> [mm]	216	C [kN]	520
d <sub>b,min</sub> [mm]	212	C <sub>0</sub> [kN]	975
D <sub>a,min</sub> [mm]	257	C <sub>u</sub> [kN]	92.2
D <sub>a,max</sub> [mm]	268	n <sub>th</sub> [min <sup>-1</sup> ]	1378
D <sub>b,min</sub> [mm]	271	n <sub>g</sub> [min <sup>-1</sup> ]	2200
C <sub>a,min</sub> [mm]	9	e	0,39
C <sub>b,min</sub> [mm]	12	Y	1,52
r <sub>a,max</sub> [mm]	3	Y <sub>0</sub>	0,84
r <sub>b,max</sub> [mm]	2.5		