

H24160

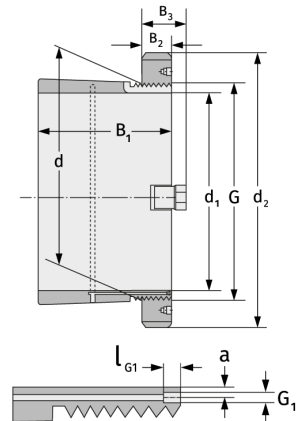
Clamping Sleeves



Details:

Main dimensions

d [mm]	300	B ₃ [mm]	53
Weight [kg]	≈ 32.7	G [mm]	Tr300x
d ₁ [mm]	280		4
d ₂ [mm]	380	G ₁ [mm]	M6
B ₁ [mm]	258	l _{G1} [mm]	7
B ₂ [mm]	40	a [mm]	4.2



Mating dimensions

Containing components

Groove / shaft nut

HM3160

Securing

MS3160