

# HM30/1060

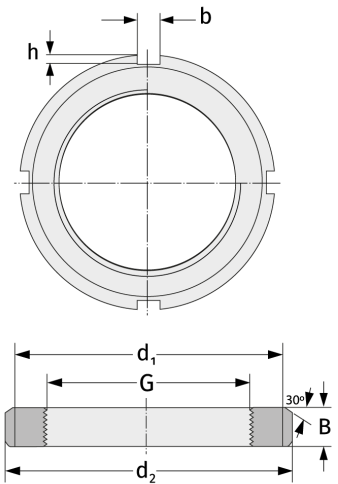
Grooved Nuts



## Details:

### Main dimensions

Weight [kg]	≈ 180	B [mm]	100
G [mm]	Tr1060 x8	b [mm]	60
		h [mm]	25
$d_1$ [mm]	1145		
$d_2$ [mm]	1200		



### Mating dimensions

### Containing components

Securing

MS30/100

0