

HM30/1180

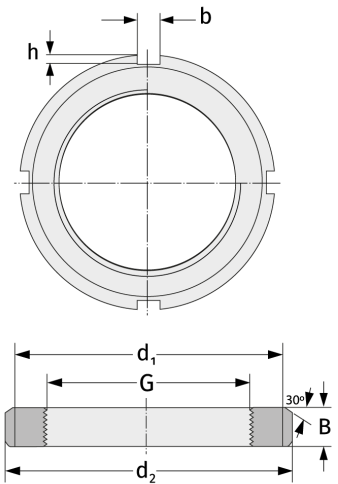
Grooved Nuts



Details:

Main dimensions

Weight [kg]	≈ 200	B [mm]	100
G [mm]	Tr1180	b [mm]	60
	x8	h [mm]	25
d ₁ [mm]	1265		
d ₂ [mm]	1320		



Mating dimensions

Containing components

Securing	MS30/100 0
----------	---------------