

HM30/560

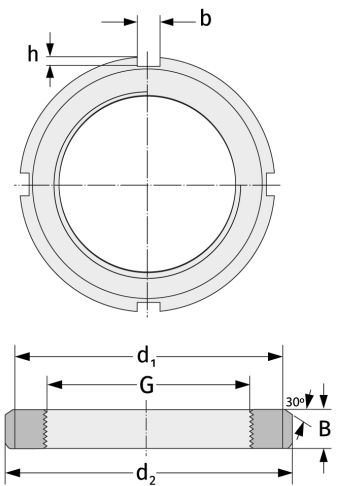
Grooved Nuts



Details:

Main dimensions

Weight [kg]	≈ 44.2	B [mm]	75
G [mm]	Tr560x 6	b [mm]	40
		h [mm]	20
d ₁ [mm]	610		
d ₂ [mm]	650		



Mating dimensions

Containing components

Securing

MS30/560