

HM3096

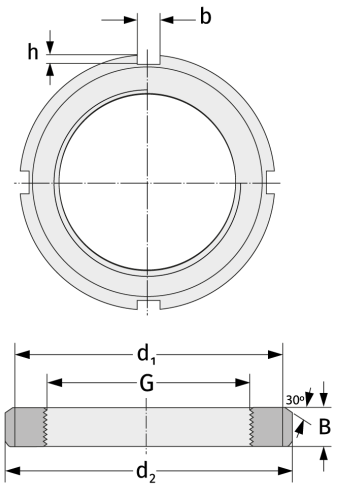
Grooved Nuts



Details:

Main dimensions

Weight [kg]	≈ 28.3	B [mm]	60
G [mm]	Tr480x	b [mm]	36
	5	h [mm]	15
d ₁ [mm]	530		
d ₂ [mm]	560		



Mating dimensions

Containing components

Securing

MS3096