

HM31/1060

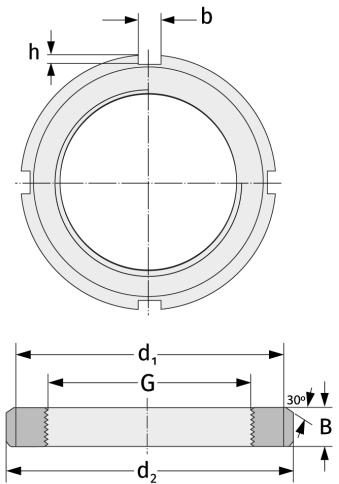
Grooved Nuts



Details:

Main dimensions

Weight [kg]	≈ 396	B [mm]	125
G [mm]	Tr1060 x8	b [mm]	70
		h [mm]	38
d_1 [mm]	1210		
d_2 [mm]	1300		



Mating dimensions

Containing components

Securing

MS31/100

0