

HM31/500

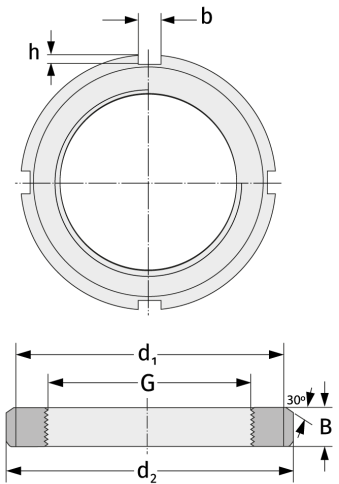
Grooved Nuts



Details:

Main dimensions

Weight [kg]	≈ 63.1	B [mm]	80
G [mm]	Tr30/5 00	b [mm]	40
		h [mm]	23
d ₁ [mm]	580		
d ₂ [mm]	630		



Mating dimensions

Containing components

Securing

MS31/500