

HM31/530

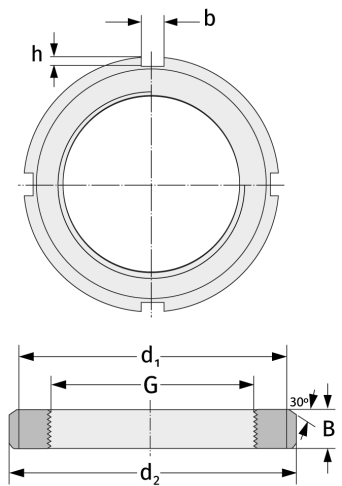
Grooved Nuts



Details:

Main dimensions

Weight [kg]	≈ 74.3	B [mm]	80
G [mm]	Tr530x 6	b [mm]	40
		h [mm]	23
d ₁ [mm]	610		
d ₂ [mm]	670		



Mating dimensions

Containing components

Securing	MS31/530
----------	----------