

HM31/900

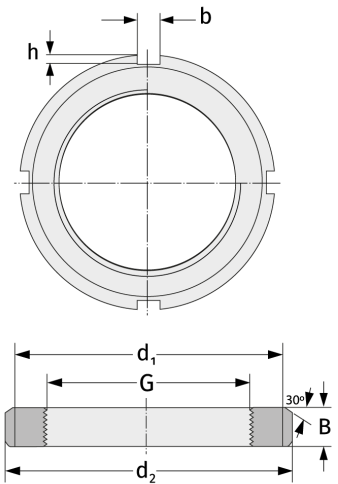
Grooved Nuts



Details:

Main dimensions

Weight [kg]	≈ 303	B [mm]	125
G [mm]	Tr900x 7	b [mm]	70
		h [mm]	38
d ₁ [mm]	1030		
d ₂ [mm]	1120		



Mating dimensions

Containing components

Securing

MS31/900