

# HM3144

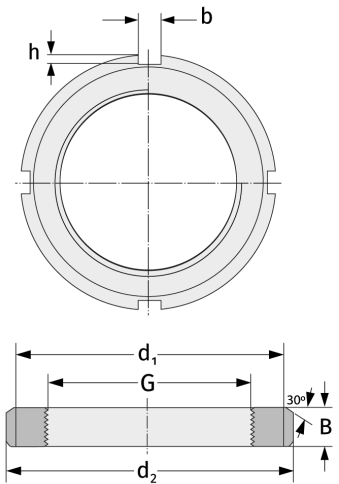
Grooved Nuts



## Details:

### Main dimensions

Weight [kg]	≈ 5.16	B [mm]	32
G [mm]	Tr220x 4	b [mm]	20
		h [mm]	10
d <sub>1</sub> [mm]	250		
d <sub>2</sub> [mm]	280		



### Mating dimensions

### Containing components

Securing

MB44