

HM3152

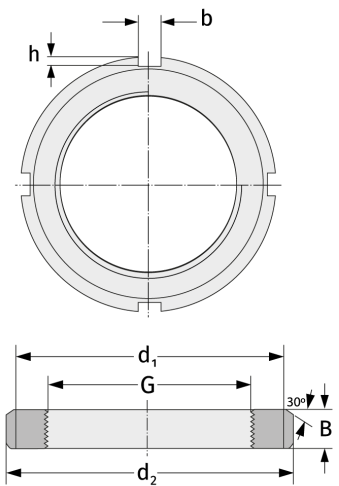
Grooved Nuts



Details:

Main dimensions

Weight [kg]	≈ 7.99	B [mm]	36
G [mm]	Tr260x 4	b [mm]	24
		h [mm]	12
d ₁ [mm]	300		
d ₂ [mm]	330		



Mating dimensions

Containing components

Securing

MB52