

# KM14

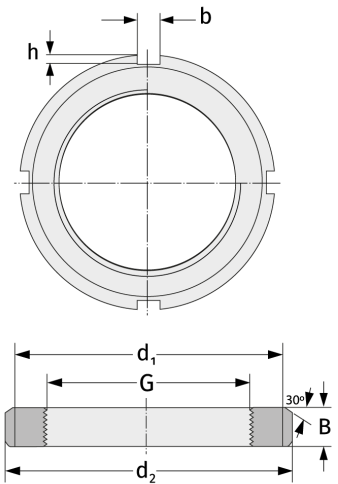
Grooved Nuts



## Details:

### Main dimensions

Weight [kg]	≈ 0.242	B [mm]	12
G [mm]	M70x2	b [mm]	8
d <sub>1</sub> [mm]	85	h [mm]	3.5
d <sub>2</sub> [mm]	92		



### Mating dimensions

### Containing components

Securing

MB14