

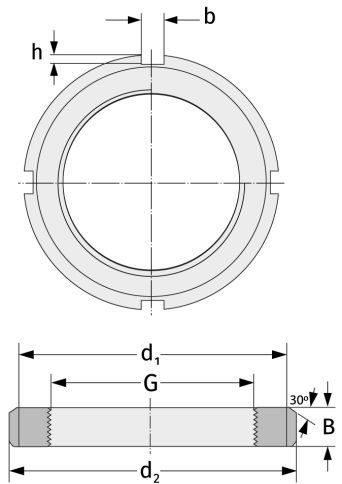
KM16

Grooved Nuts



Details:

Main dimensions			
Weight [kg]	≈ 0.397	B [mm]	15
G [mm]	M80x2	b [mm]	8
d ₁ [mm]	95	h [mm]	3.5
d ₂ [mm]	105		



Mating dimensions

Containing components

Securing	MB16
----------	------