

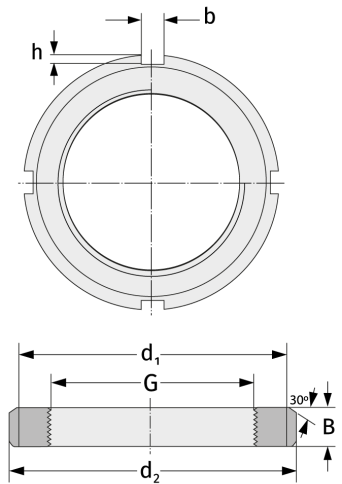
KM17

Grooved Nuts



Details:

Main dimensions			
Weight [kg]	≈ 0.451	B [mm]	16
G [mm]	M86x2	b [mm]	8
d ₁ [mm]	102	h [mm]	3.5
d ₂ [mm]	110		



Mating dimensions

Containing components

Securing

MB17