

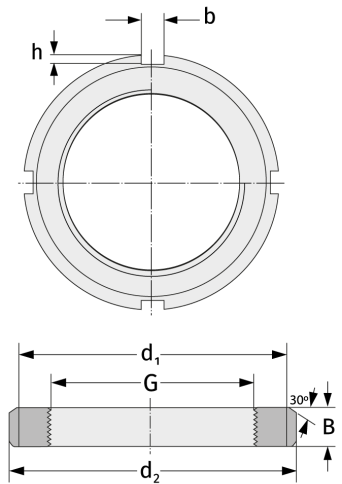
KM19

Grooved Nuts



Details:

Main dimensions			
Weight [kg]	≈ 0.658	B [mm]	17
G [mm]	M95x2	b [mm]	10
d ₁ [mm]	113	h [mm]	4
d ₂ [mm]	125		



Mating dimensions

Containing components

Securing

MB19