

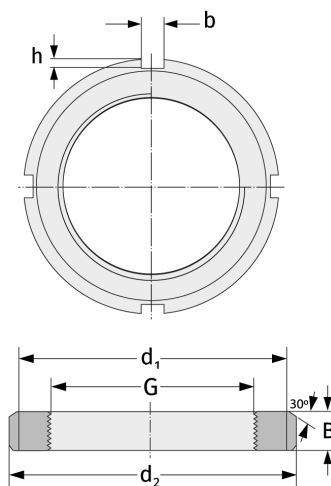
KM32

Grooved Nuts



Details:

Main dimensions			
Weight [kg]	≈ 2.59	B [mm]	25
G [mm]	M160x 3	b [mm]	16
		h [mm]	7
d ₁ [mm]	182		
d ₂ [mm]	210		



Mating dimensions

Containing components

Securing

MB32