

# KM34

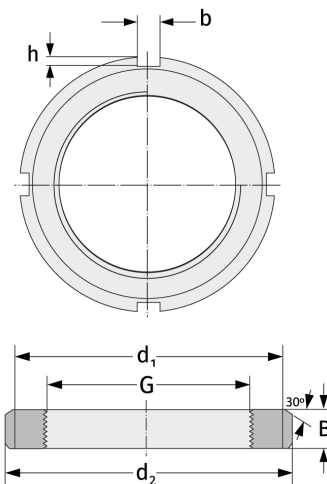
Grooved Nuts



## Details:

### Main dimensions

Weight [kg]	≈ 2.8	B [mm]	26
G [mm]	M170x 3	b [mm]	16
		h [mm]	7
$d_1$ [mm]	193		
$d_2$ [mm]	220		



### Mating dimensions

### Containing components

Securing

MB34