

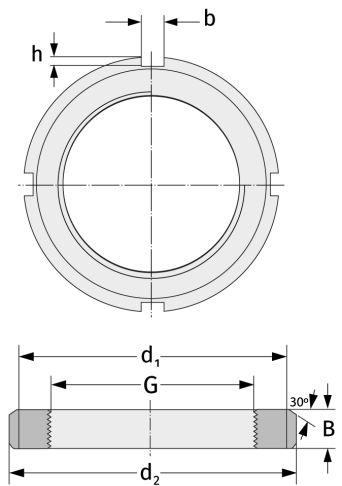
KM5

Grooved Nuts



Details:

Main dimensions			
Weight [kg]	≈ 0.025	B [mm]	7
G [mm]	M25x1.5	b [mm]	5
		h [mm]	2
d ₁ [mm]	32		
d ₂ [mm]	38		



Mating dimensions

Containing components

Securing	MB5
----------	-----