

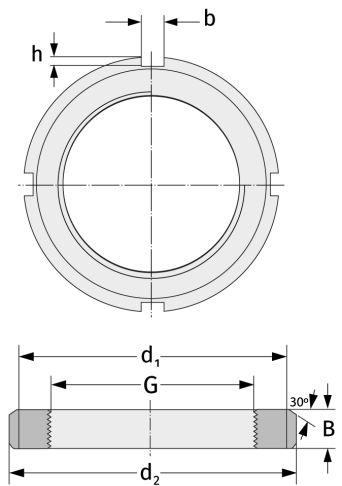
KM6

Grooved Nuts



Details:

Main dimensions			
Weight [kg]	≈ 0.043	B [mm]	7
G [mm]	M30x1.5	b [mm]	5
		h [mm]	2
d ₁ [mm]	38		
d ₂ [mm]	45		



Mating dimensions

Containing components	
Securing	MB6