

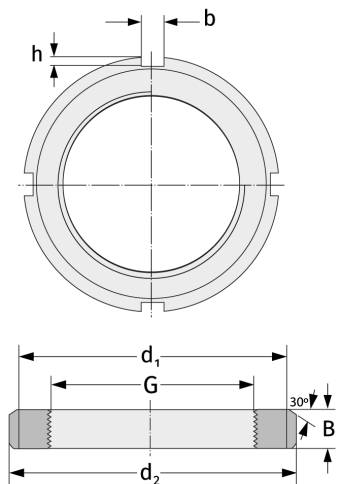
# KM7

Grooved Nuts



## Details:

Main dimensions			
Weight [kg]	≈ 0.053	B [mm]	8
G [mm]	M35x1.5	b [mm]	5
		h [mm]	2
d <sub>1</sub> [mm]	44		
d <sub>2</sub> [mm]	52		



## Mating dimensions

## Containing components

Securing	MB7
----------	-----