

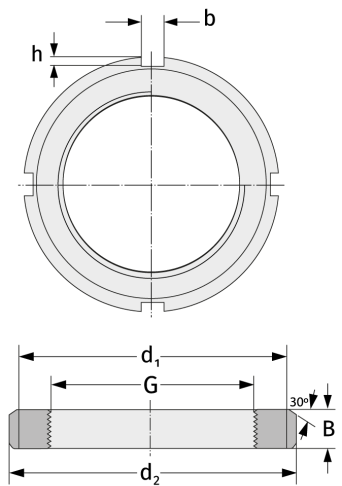
# KM8

Grooved Nuts



## Details:

Main dimensions			
Weight [kg]	≈ 0.085	B [mm]	9
G [mm]	M40x1.5	b [mm]	6
		h [mm]	2.5
d <sub>1</sub> [mm]	50		
d <sub>2</sub> [mm]	58		



## Mating dimensions

## Containing components

Securing	MB8
----------	-----