

KML32

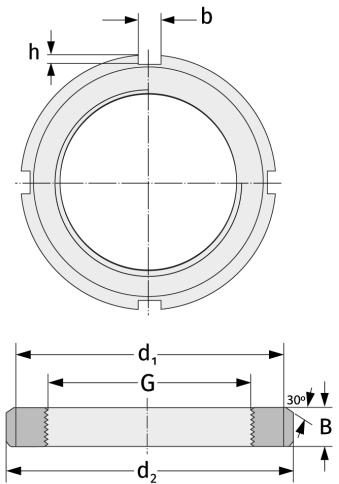
Grooved Nuts



Details:

Main dimensions

Weight [kg]	≈ 1.56	B [mm]	25
G [mm]	M160x	b [mm]	14
	3	h [mm]	5
d ₁ [mm]	180		
d ₂ [mm]	190		



Mating dimensions

Containing components

Securing

MBL32