

# MB1

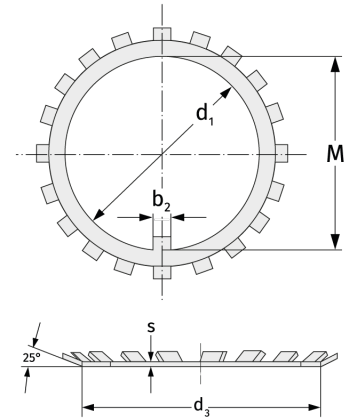
Safety Plates



## Details:

### Main dimensions

Weight [kg]	≈ 0.19	s [mm]	1
$d_1$ [mm]	12	$b_1$ [mm]	3
$d_2$ [mm]	25	$b_2$ [mm]	3
$d_3$ [mm]	17	M [mm]	10.5



### Mating dimensions

### Calculation data