

# MB18

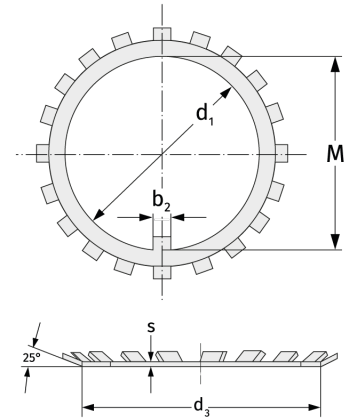
Safety Plates



## Details:

### Main dimensions

Weight [kg]	≈ 6.3	s [mm]	1.75
$d_1$ [mm]	90	$b_1$ [mm]	10
$d_2$ [mm]	126	$b_2$ [mm]	10
$d_3$ [mm]	108	M [mm]	86.5



### Mating dimensions

### Calculation data