

MB2

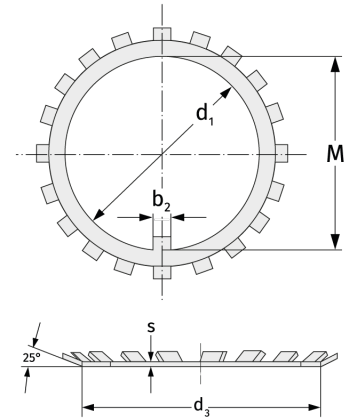
Safety Plates



Details:

Main dimensions

Weight [kg]	≈ 0.25	s [mm]	1
d_1 [mm]	15	b_1 [mm]	4
d_2 [mm]	28	b_2 [mm]	4
d_3 [mm]	21	M [mm]	13.5



Mating dimensions

Calculation data