

MB22

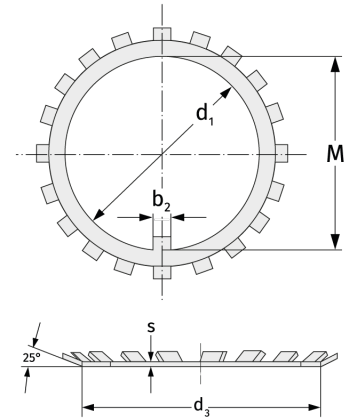
Safety Plates



Details:

Main dimensions

Weight [kg]	≈ 9.4	s [mm]	1.75
d_1 [mm]	110	b_1 [mm]	12
d_2 [mm]	154	b_2 [mm]	12
d_3 [mm]	133	M [mm]	105.5



Mating dimensions

Calculation data