

MB34

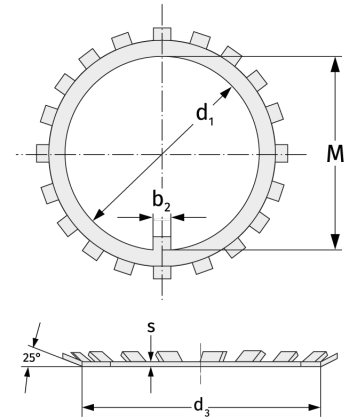
Safety Plates



Details:

Main dimensions

| | | | |
|-------------|--------|------------|-----|
| Weight [kg] | ≈ 24.7 | s [mm] | 2.5 |
| d_1 [mm] | 170 | b_1 [mm] | 16 |
| d_2 [mm] | 232 | b_2 [mm] | 18 |
| d_3 [mm] | 193 | M [mm] | 164 |



Mating dimensions

Calculation data