

MB38

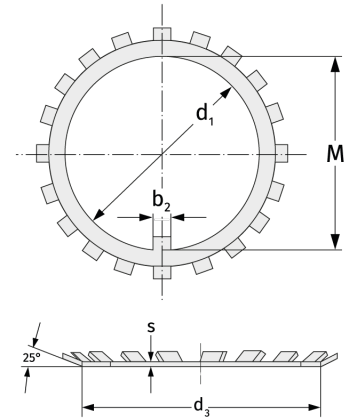
Safety Plates



Details:

Main dimensions

Weight [kg]	≈ 27.8	s [mm]	2.5
d_1 [mm]	190	b_1 [mm]	18
d_2 [mm]	252	b_2 [mm]	20
d_3 [mm]	214	M [mm]	184



Mating dimensions

Calculation data