

# MB48

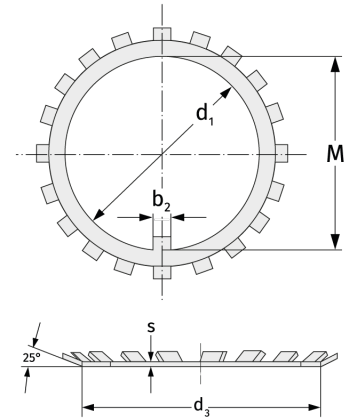
Safety Plates



## Details:

### Main dimensions

Weight [kg]	≈ 40	s [mm]	3
$d_1$ [mm]	240	$b_1$ [mm]	20
$d_2$ [mm]	312	$b_2$ [mm]	24
$d_3$ [mm]	270	M [mm]	233



### Mating dimensions

### Calculation data