

MB52

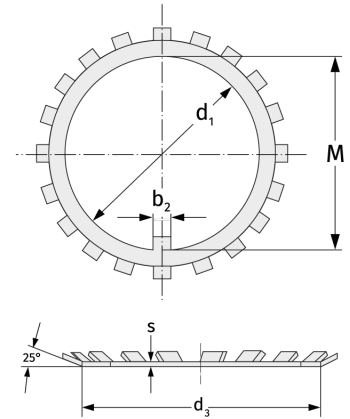
Safety Plates



Details:

Main dimensions

Weight [kg]	≈ 60	s [mm]	3
d_1 [mm]	260	b_1 [mm]	24
d_2 [mm]	342	b_2 [mm]	28
d_3 [mm]	300	M [mm]	253



Mating dimensions

Calculation data