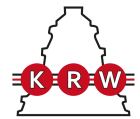


MBL26

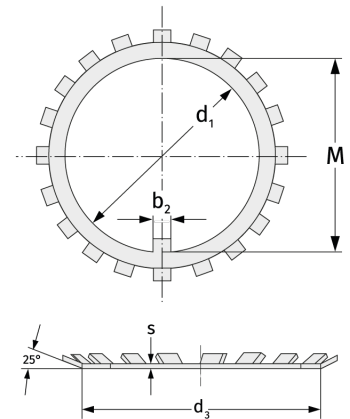
Safety Plates



Details:

Main dimensions

Weight [kg]	≈ 8.7	s [mm]	2
d_1 [mm]	130	b_1 [mm]	12
d_2 [mm]	158	b_2 [mm]	14
d_3 [mm]	145	M [mm]	125



Mating dimensions

Calculation data