

MBL32

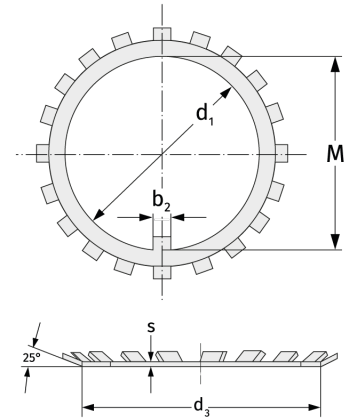
Safety Plates



Details:

Main dimensions

Weight [kg]	≈ 16.2	s [mm]	2.5
d_1 [mm]	160	b_1 [mm]	14
d_2 [mm]	190	b_2 [mm]	18
d_3 [mm]	180	M [mm]	154



Mating dimensions

Calculation data