

# MBL38

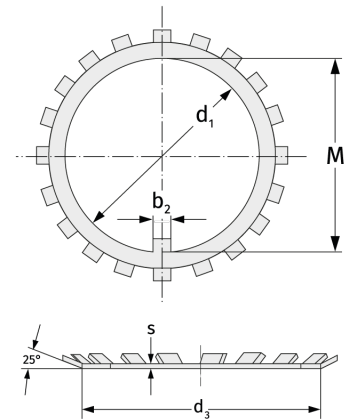
Safety Plates



## Details:

### Main dimensions

Weight [kg]	≈ 20.5	s [mm]	2.5
$d_1$ [mm]	190	$b_1$ [mm]	16
$d_2$ [mm]	228	$b_2$ [mm]	20
$d_3$ [mm]	210	M [mm]	184



### Mating dimensions

### Calculation data