

# N1013M3

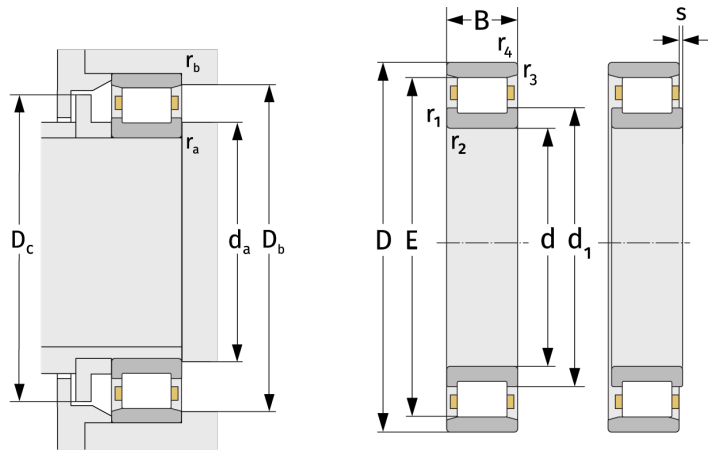
Cylindrical Roller Bearings (single row, with cage)



## Details:

### Main dimensions

d [mm]	65	d <sub>1</sub> [mm]	≈ 77.7
D [mm]	100	r <sub>1,2</sub> [mm]	1.1
B [mm]	18	r <sub>3,4</sub> [mm]	1
Weight [kg]	≈ 0.489	s [mm]	3
E [mm]	90.5		



### Mating dimensions

d <sub>a,min</sub> [mm]	71
D <sub>b,min</sub> [mm]	92
D <sub>c,max</sub> [mm]	89
r <sub>a,max</sub> [mm]	1
r <sub>b,max</sub> [mm]	1

### Calculation data

C [kN]	44.8
C <sub>0</sub> [kN]	57.3
C <sub>u</sub> [kN]	7.52
n <sub>th</sub> [min <sup>-1</sup> ]	5936
n <sub>g</sub> [min <sup>-1</sup> ]	8900