

# N1921E.M3

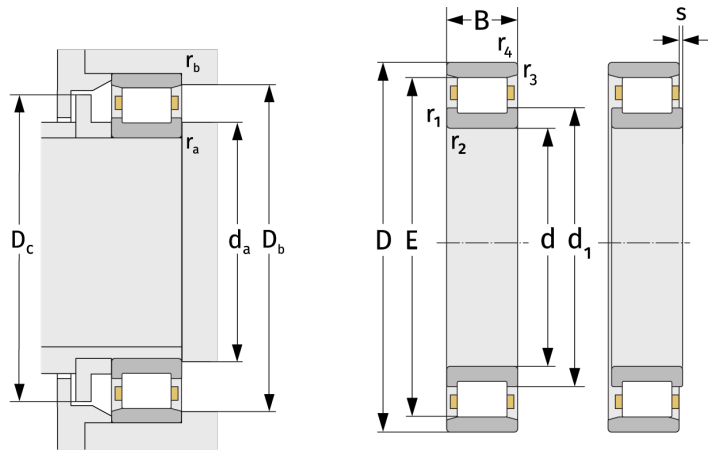
Cylindrical Roller Bearings (single row, with cage)



## Details:

### Main dimensions

d [mm]	105	$d_1$ [mm]	$\approx 119.5$
D [mm]	145	$r_{1,2}$ [mm]	1.1
B [mm]	20	$r_{3,4}$ [mm]	1
Weight [kg]	$\approx 0.961$	s [mm]	1.6
E [mm]	135.5		



### Mating dimensions

$d_{a, \min}$ [mm]	111
$D_{b, \min}$ [mm]	137
$D_{c, \max}$ [mm]	132
$r_{a, \max}$ [mm]	1
$r_{b, \max}$ [mm]	1

### Calculation data

C [kN]	85.6
$C_0$ [kN]	130
$C_u$ [kN]	16.5
$n_{th}$ [ $\text{min}^{-1}$ ]	3688
$n_g$ [ $\text{min}^{-1}$ ]	5800