

N2819M3

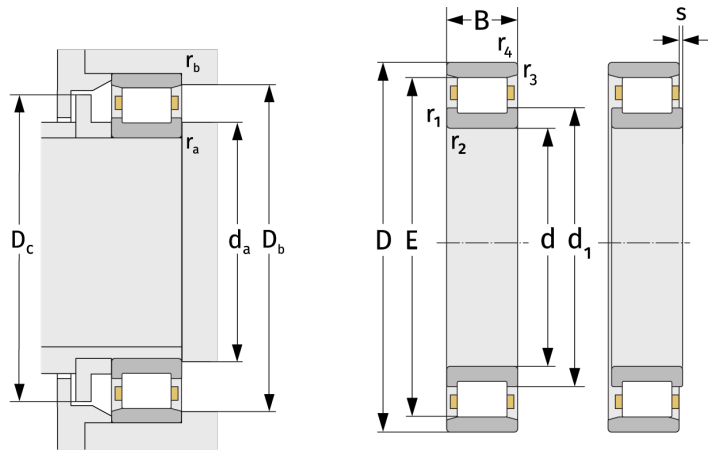
Cylindrical Roller Bearings (single row, with cage)



Details:

Main dimensions

d [mm]	95	d ₁ [mm]	≈ 104.1
D [mm]	120	r _{1,2} [mm]	1
B [mm]	16	r _{3,4} [mm]	0.6
E [mm]	114.5	s [mm]	2



Mating dimensions

d _{a,min} [mm]	99.6
D _{b,min} [mm]	116
D _{c,max} [mm]	112
r _{a,max} [mm]	1
r _{b,max} [mm]	0.6

Calculation data

C [kN]	52.3
C ₀ [kN]	89.1
C _u [kN]	11.9
n _{th} [min ⁻¹]	3651
n _g [min ⁻¹]	6800