

# N420M3

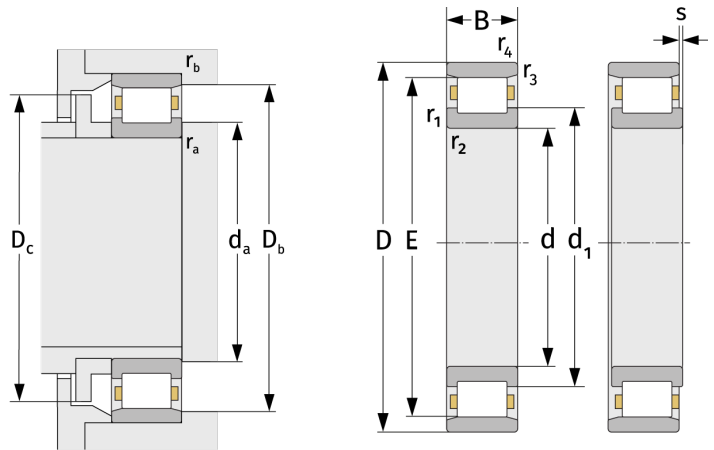
Cylindrical Roller Bearings (single row, with cage)



## Details:

### Main dimensions

d [mm]	100	d <sub>1</sub> [mm]	≈ 153.4
D [mm]	250	r <sub>1,2</sub> [mm]	4
B [mm]	58	r <sub>3,4</sub> [mm]	4
Weight [kg]	≈ 15.2	s [mm]	3.3
E [mm]	211		



### Mating dimensions

d <sub>a,min</sub> [mm]	120
D <sub>b,min</sub> [mm]	213
D <sub>c,max</sub> [mm]	209
r <sub>a,max</sub> [mm]	3
r <sub>b,max</sub> [mm]	3

### Calculation data

C [kN]	483
C <sub>0</sub> [kN]	550
C <sub>u</sub> [kN]	63.8
n <sub>th</sub> [min <sup>-1</sup> ]	2921
n <sub>g</sub> [min <sup>-1</sup> ]	4100