

NCF2218V

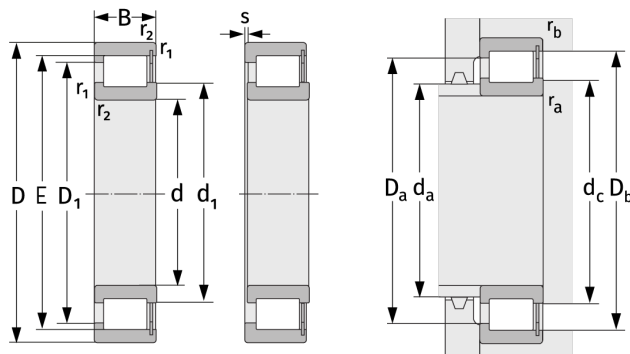
Cylindrical Roller Bearings (full complement, single row)



Details:

Main dimensions

d [mm]	90	d ₁ [mm]	≈ 110.2
D [mm]	160	D ₁ [mm]	≈ 133.01
B [mm]	40	r _{1,2} [mm]	2
Weight [kg]	≈ 3.48	r _{3,4} [mm]	2
E [mm]	140.61	s [mm]	2.5



Mating dimensions		Calculation data	
d _{a,min} [mm]	101	C [kN]	280
d _{c,min} [mm]	109	C ₀ [kN]	376
D _{a,max} [mm]	149	C _u [kN]	48.4
D _{b,max} [mm]	149	n _{th} [min ⁻¹]	1889
r _{a,max} [mm]	2	n _g [min ⁻¹]	2700
r _{b,max} [mm]	2		