

# NCF2219V

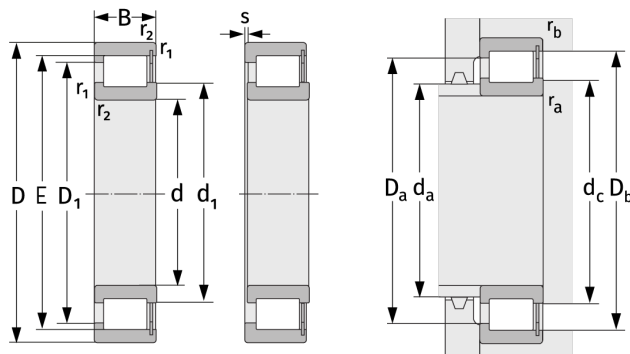
Cylindrical Roller Bearings (full complement, single row)



## Details:

### Main dimensions

d [mm]	95	d <sub>1</sub> [mm]	≈ 121.8
D [mm]	170	D <sub>1</sub> [mm]	≈ 146.97
B [mm]	43	r <sub>1,2</sub> [mm]	2.1
Weight [kg]	≈ 4.17	r <sub>3,4</sub> [mm]	2.1
E [mm]	155.37	s [mm]	2.5



Mating dimensions		Calculation data	
d <sub>a,min</sub> [mm]	107	C [kN]	328
d <sub>c,min</sub> [mm]	121	C <sub>0</sub> [kN]	443
D <sub>a,max</sub> [mm]	158	C <sub>u</sub> [kN]	55.4
D <sub>b,max</sub> [mm]	158	n <sub>th</sub> [min <sup>-1</sup> ]	1792
r <sub>a,max</sub> [mm]	2.1	n <sub>g</sub> [min <sup>-1</sup> ]	2500
r <sub>b,max</sub> [mm]	2.1		