

NCF221V

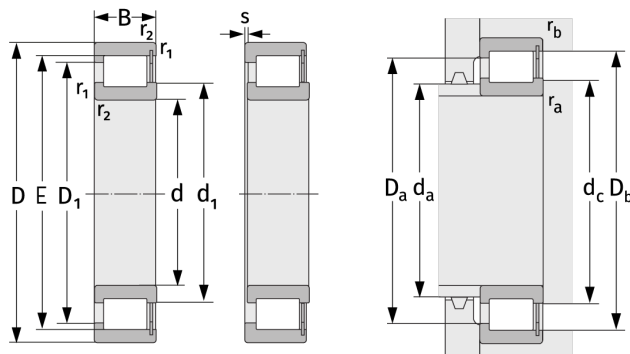
Cylindrical Roller Bearings (full complement, single row)



Details:

Main dimensions

d [mm]	105	d ₁ [mm]	≈ 133.5
D [mm]	190	D ₁ [mm]	≈ 161.1
B [mm]	36	r _{1,2} [mm]	2.1
Weight [kg]	≈ 4.37	r _{3,4} [mm]	2.1
E [mm]	170.3	s [mm]	2.5



Mating dimensions		Calculation data	
d _{a, min} [mm]	117	C [kN]	290
d _{c, min} [mm]	132	C ₀ [kN]	366
D _{a, max} [mm]	178	C _u [kN]	44.6
D _{b, max} [mm]	178	n _{th} [min ⁻¹]	1551
r _{a, max} [mm]	2.1	n _g [min ⁻¹]	2300
r _{b, max} [mm]	2.1		