

NCF2918V

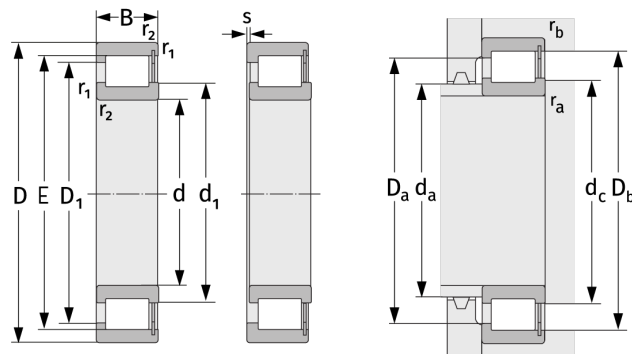
Cylindrical Roller Bearings (full complement, single row)



Details:

Main dimensions

d [mm]	90	d ₁ [mm]	≈ 101
D [mm]	125	D ₁ [mm]	≈ 111.75
B [mm]	22	r _{1,2} [mm]	1.1
Weight [kg]	≈ 0.815	r _{3,4} [mm]	1
E [mm]	115.35	s [mm]	1



Mating dimensions		Calculation data	
d _{a,min} [mm]	96	C [kN]	106
d _{c,min} [mm]	100	C ₀ [kN]	175
D _{a,max} [mm]	119	C _u [kN]	23.4
D _{b,max} [mm]	119	n _{th} [min ⁻¹]	1999
r _{a,max} [mm]	1	n _g [min ⁻¹]	3100
r _{b,max} [mm]	1		