

NCF2920V

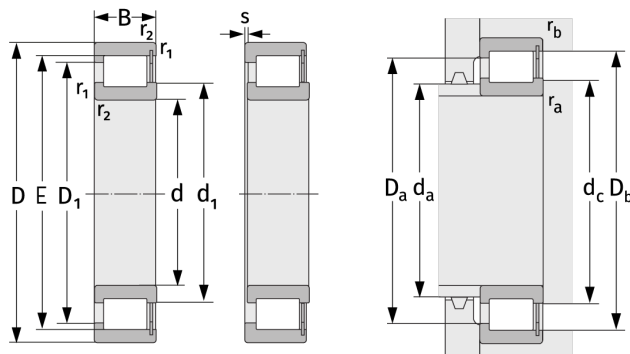
Cylindrical Roller Bearings (full complement, single row)



Details:

Main dimensions

d [mm]	100	d ₁ [mm]	≈ 112.8
D [mm]	140	D ₁ [mm]	≈ 126
B [mm]	24	r _{1,2} [mm]	1.1
Weight [kg]	≈ 1.11	r _{3,4} [mm]	1
E [mm]	130.4	s [mm]	1.5



Mating dimensions		Calculation data	
d _{a, min} [mm]	106	C [kN]	133
d _{c, min} [mm]	112	C ₀ [kN]	210
D _{a, max} [mm]	134	C _u [kN]	27.2
D _{b, max} [mm]	134	n _{th} [min ⁻¹]	1837
r _{a, max} [mm]	1	n _g [min ⁻¹]	2800
r _{b, max} [mm]	1		